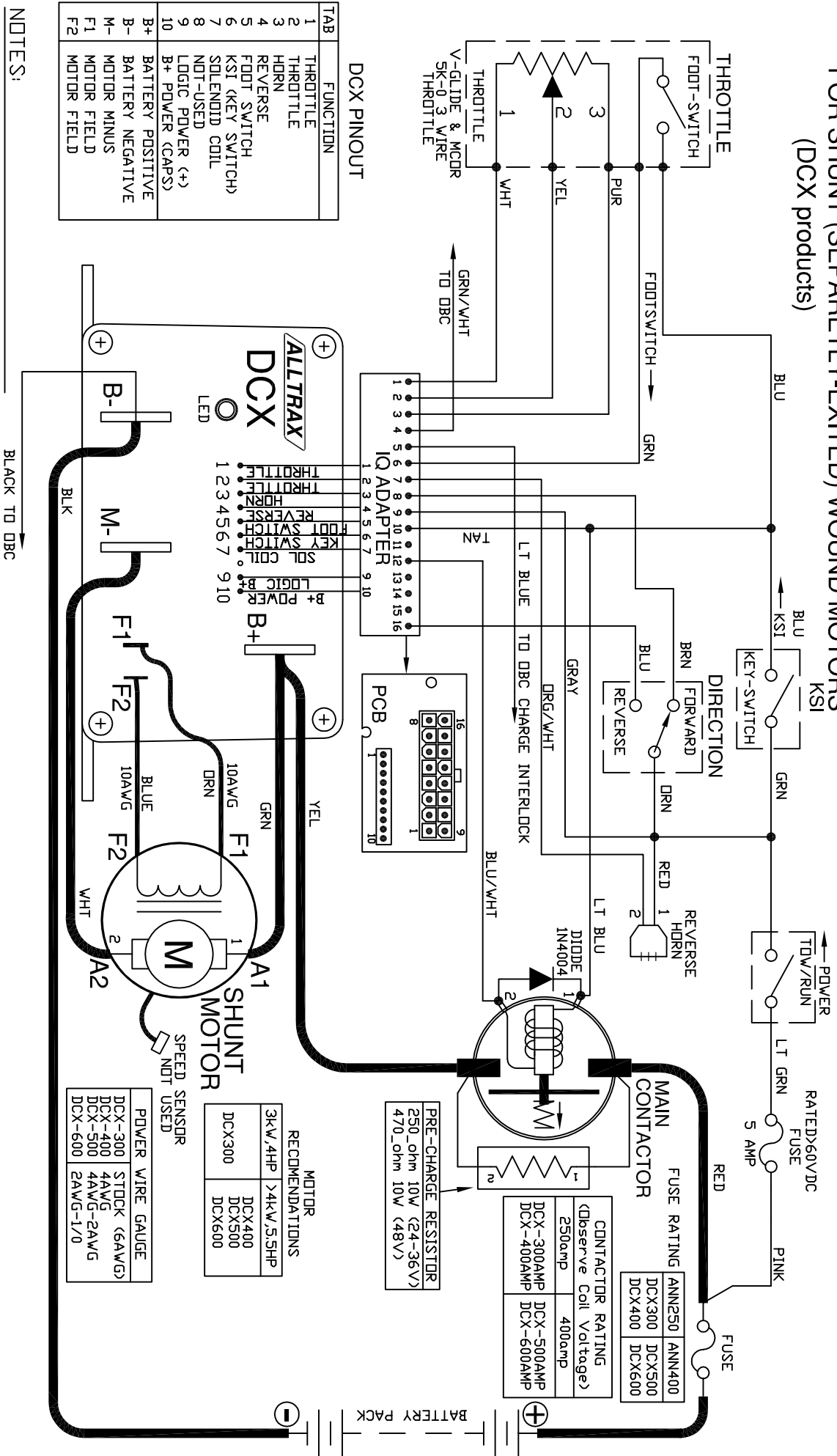


DCX to CLUB IQ FOR SHUNT (SEPARATELY-EXCITED) WOUND MOTORS (DCX products)



| TAB | FUNCTION |
|-----|------------------|
| 1 | THROTTLE |
| 2 | THROTTLE |
| 3 | HORN |
| 4 | REVERSE |
| 5 | FOOT SWITCH |
| 6 | KST (KEY SWITCH) |
| 7 | SOLENOID COIL |
| 8 | NOT-USED |
| 9 | LOGIC POWER (+) |
| 10 | B+ POWER (CAPS) |
| B+ | BATTERY POSITIVE |
| B- | BATTERY NEGATIVE |
| M- | MOTOR MINUS |
| F1 | MOTOR FIELD |
| F2 | MOTOR FIELD |

NOTES:

- * FUSES REQUIRED FOR ALL INSTALLATIONS
- * DIODE REQUIRED ACROSS COILS / RELAYS
- * TOW/RUN SWITCH PREVENTS REGEN WHILE TOWING
- > ASSUMES FOOTSWITCH IS OPEN WHEN THROTTLE OFF
- > ALLTRAX RESERVES THE RIGHT TO CHANGE DOCUMENTATION WITHOUT NOTICE
- > ALLTRAX MAKES NO WARRANTY AS TO THE ACCURACY, SUFFICIENCY, OR SUITABILITY OF ANY TECHNICAL OR OTHER INFORMATION PROVIDED
- > SEE OPERATORS MANUAL FOR MORE INFORMATION

| MOTOR RECOMMENDATIONS | POWER WIRE GAUGE |
|-----------------------|------------------|
| 3Kv, 4HP >4Kv, 5.5HP | STOCK (6AWG) |
| DCX400 | 4AWG |
| DCX500 | 4AWG-2AWG |
| DCX600 | 2AWG-1/0 |

| REVISIONS | | | DWG SCALE: NTS | | | |
|-----------|------|--------|----------------|-------|------------|--------|
| REV. | ECO. | DATE | APVD | DRAWN | R. CSUK | 031507 |
| A | | 090407 | 090407 | ENGR | D.Crockett | 121406 |
| B | | 102208 | 123008 | RC | | |

THIS TECHNICAL DATA IS PROPRIETARY AND SHALL NOT BE REPRODUCED, RELEASED, OR DISCLOSED IN WHOLE OR IN PART WITHOUT THE WRITTEN PERMISSION OF ALLTRAX INC.

| | |
|--|--------------|
| FILE: _DWG-DCX-CLUBCAR-IQ-WIRE-DRAWING | SHEET 1 of 1 |
|--|--------------|

DO NOT SCALE DRAWING

ALLTRAX 1111 Cheney Creek Rd.
Grants Pass, OR 97527
PHONE:(541) 476-3565

TITLE: DCX to Club Car IQ WITH Separate Excited Motors - Wiring Dia
SIZE: DOC100-054
REV. B