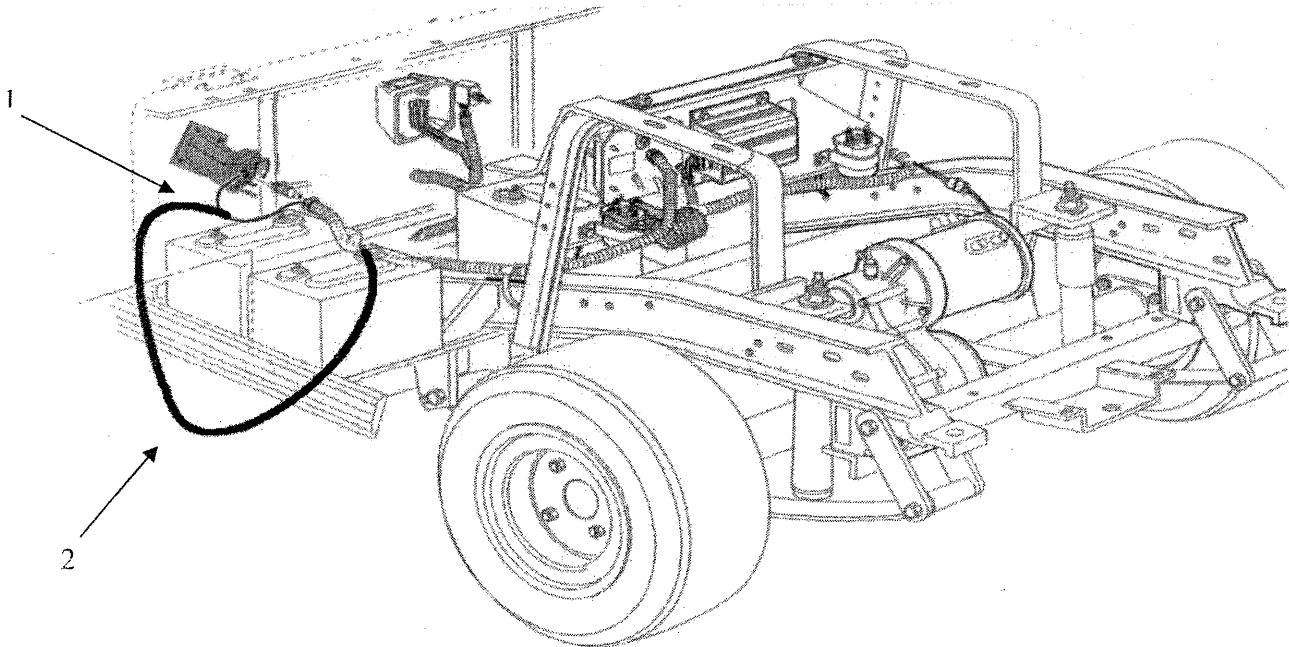


Diagram Set Up for DPI 48V Club Car Charger Onboard Bypass



Your Club Car Cart has an on-board computer that only has one purpose of turning on or off the external power supply. When the battery pack is fully charged the computer alerts the power supply to turn off, but when the batteries are in need of charge, the on-board computer will alert the external power supply to turn on to charge the battery pack.

If your desire is to bypass the on-board computer to use our DPI 48V Accusense charger for your Club Car cart this on-board computer and external power supply is no longer needed. DPI Chargers are fully automatic and with specific algorithms for different types/brands of battery packs. Your DPI charger will increase the length of drive time and battery life of your carts battery pack. DPI Accusense chargers have a microprocessor that when connected to the cart constantly monitors the voltage level and status of your battery pack and will turn on or off depending on the status. The procedure to bypass your Club Car's on-board computer is very simple and will take very little of your time. By bypassing your Club Car's computer, you avoid the future expense of purchasing a new computer to charge your cart's battery pack. The above diagram shows a detailed visual representation of your Club Car's wiring setup and the only additional wiring needed to bypass the on-board computer.

Directions: (Reference to diagram above for procedure)

- 1.) The negative line coming from the back of your charger-handle receptacle
- 2.) The wire that you must install to bypass your computer

You need to splice wire #1 with wire #2. There is no need to cut the line. Next, Connect the other end to the negative of the rear most battery; furthest back on the driver's side of the cart (same as shown above in the diagram). Now your Club Car Cart is ready to work with your new DPI Accusense Charger.

If you have any questions, please call our DPI technical support department at: 1-800-334-5091