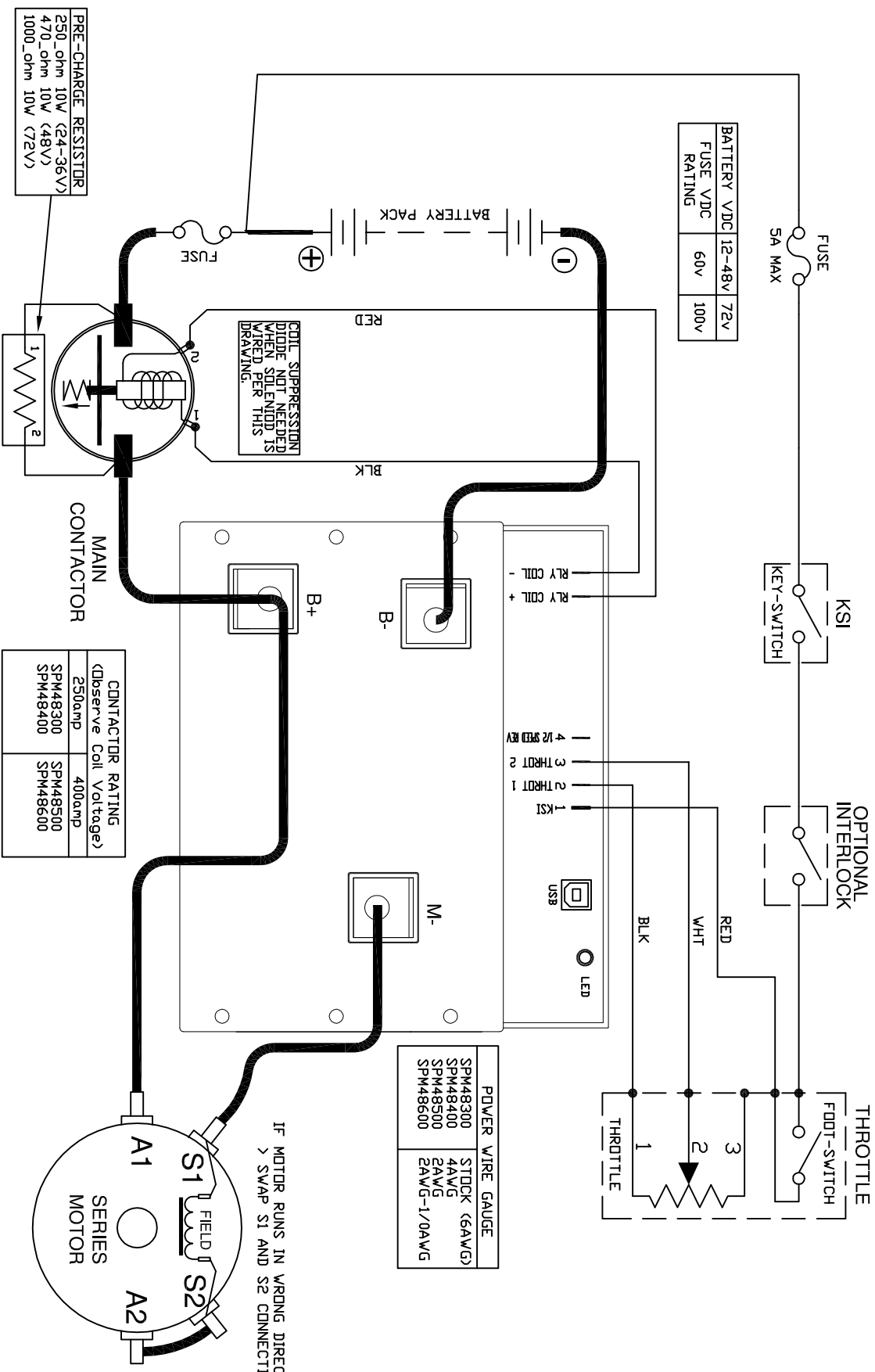


# SPM - NO REVERSE

## FOR SERIES MOTOR

PART NO. DOC110-003



TAB	FUNCTION
1	KSI VOLTAG
2	THROTTLE
3	THROTTLE
4	1/2 SPEED REVERSE
B+	BATTERY POSITIVE
B-	BATTERY NEGATIVE
M-	MOTOR MINUS

- NOTES:**
- > FUSES REQUIRED FOR ALL INSTALLATIONS
  - > DIODE REQUIRED ACROSS COILS / RELAYS
  - > PRE-CHARGE RESISTOR REQUIRED
  - > ASSUMES FOOTSWITCH IS OPEN WHEN THROTTLE OFF
  - > ALLTRAX RESERVES THE RIGHT TO CHANGE DOCUMENTATION WITHOUT NOTICE
  - > ALLTRAX MAKES NO WARRANTY AS TO THE ACCURACY, SUFFICIENCY, OR SUITABILITY OF ANY TECHNICAL OR OTHER INFORMATION PROVIDED
  - > SEE OPERATORS MANUAL FOR MORE INFORMATION

REVISIONS			
REV.	ECO.	DATE	APVD

DWG SCALE: 1:1

DRWN/RICHARD GSUK 11/15/10

ENGR/DAMON CROCKETT 11/15/10

PROPRIETARY  
THIS TECHNICAL DATA IS PROPRIETARY  
AND IS RELEASED OR DISCLOSED  
IN WHOLE OR IN PART WITHOUT THE  
WRITTEN PERMISSION OF ALLTRAX INC.

<b>ALLTRAX</b>		1111 Cheney Creek Rd. Grants Pass, OR 97527 PHONE:(541) 476-3565	
TITLE			
SPM - SERIES GENERIC NO REVERSE			
Wiring Diagram			
SIZE	DOCUMENT NO.	REV.	
A	S	DOC110-003	A
FILE:000110-003-A-000-SPM-GENERIC-SERIES-NO-REV-ENC-00			SHEET 1 OF 1

DO NOT SCALE DRAWING