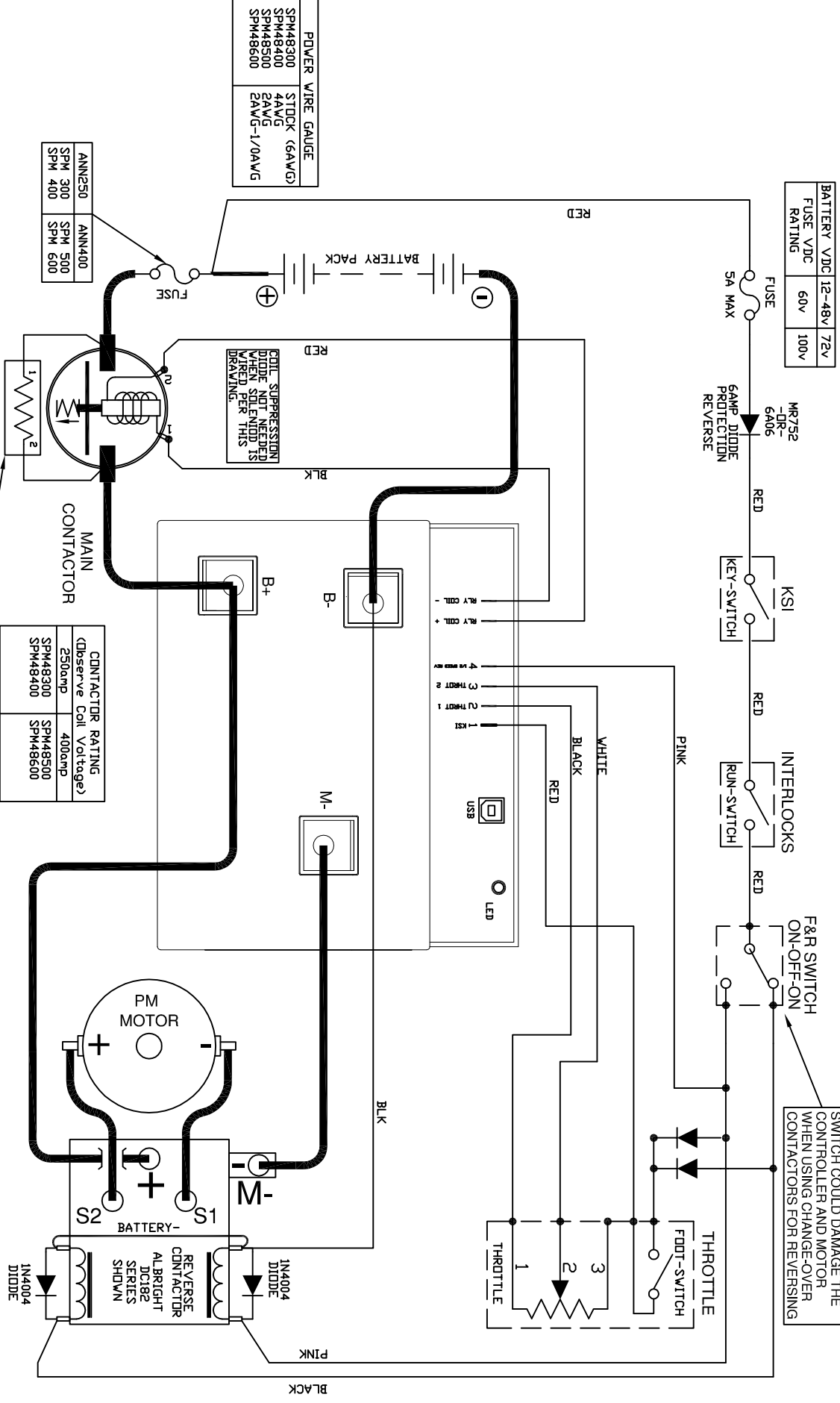


SPM to PERMANENT MAGNET MOTOR

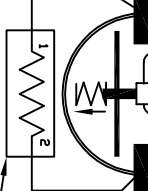
PART NO. DOC110-005



POWER WIRE GAUGE

SPM48300	STDOCK (6AWG)
SPM48400	4AWG
SPM48500	2AWG
SPM48600	2AWG-1/0AWG

ANN250	ANN400
SPM 300	SPM 500
SPM 400	SPM 600



CONTACTOR RATING (Observe Coil Voltage)

SPM48300	250amp
SPM48400	400amp
SPM48500	400amp
SPM48600	400amp

PRE-CHARGE RESISTOR

250_ohm 10W (24-36V)
470_ohm 10W (48V)
1000_ohm 10W (72V)

TAB	FUNCTION
1	KSI VOLTAGE
2	THROTTLE
3	THROTTLE
4	1/2 SPEED REVERSE
B+	BATTERY POSITIVE
B-	BATTERY NEGATIVE
M-	MOTOR MINUS

NOTES:

- * FUSES REQUIRED FOR ALL INSTALLATIONS
- * DIODE REQUIRED ACROSS COILS / RELAYS
- * PRE-CHARGE RESISTOR REQUIRED
- > ASSUMES FOOTSWITCH IS OPEN WHEN THROTTLE OFF
- > ALLTRAX RESERVES THE RIGHT TO CHANGE DOCUMENTATION WITHOUT NOTICE
- > ALLTRAX MAKES NO WARRANTY AS TO THE ACCURACY, SUFFICIENCY, OR SUITABILITY OF ANY TECHNICAL, OR OTHER INFORMATION PROVIDED FOR MORE INFORMATION > SEE OPERATORS MANUAL

REVISIONS

REV.	ECO.	DATE	APVD

DWG SCALE: 1:1

DRWN: RICHARD GSUK 11/15/10

ENGR: DAVID CROCKETT 11/15/10

PROPRIETARY
 THIS TECHNICAL DATA IS PROPRIETARY AND TO ALLTRAX, INC. AND IS NOT TO BE REPRODUCED, COPIED, OR DISCLOSED IN WHOLE OR IN PART WITHOUT THE WRITTEN PERMISSION OF ALLTRAX, INC.

DO NOT SCALE DRAWING

1111 Cheney Creek Rd.
 Gronts Pass, OR 97527
 PHONE: (541) 476-3565

ALLTRAX

TITLE
 SPM - PERMANENT MAGNET W/ REVERSE
 Wiring Diagram

SIZE DOCUMENT NO.
 A S DOC110-005

REV.
 A

FILE: DOC110-005-4-LINE-SPM-FRM-WAVER-REV003-INC-1M SHEET 1 OF 1