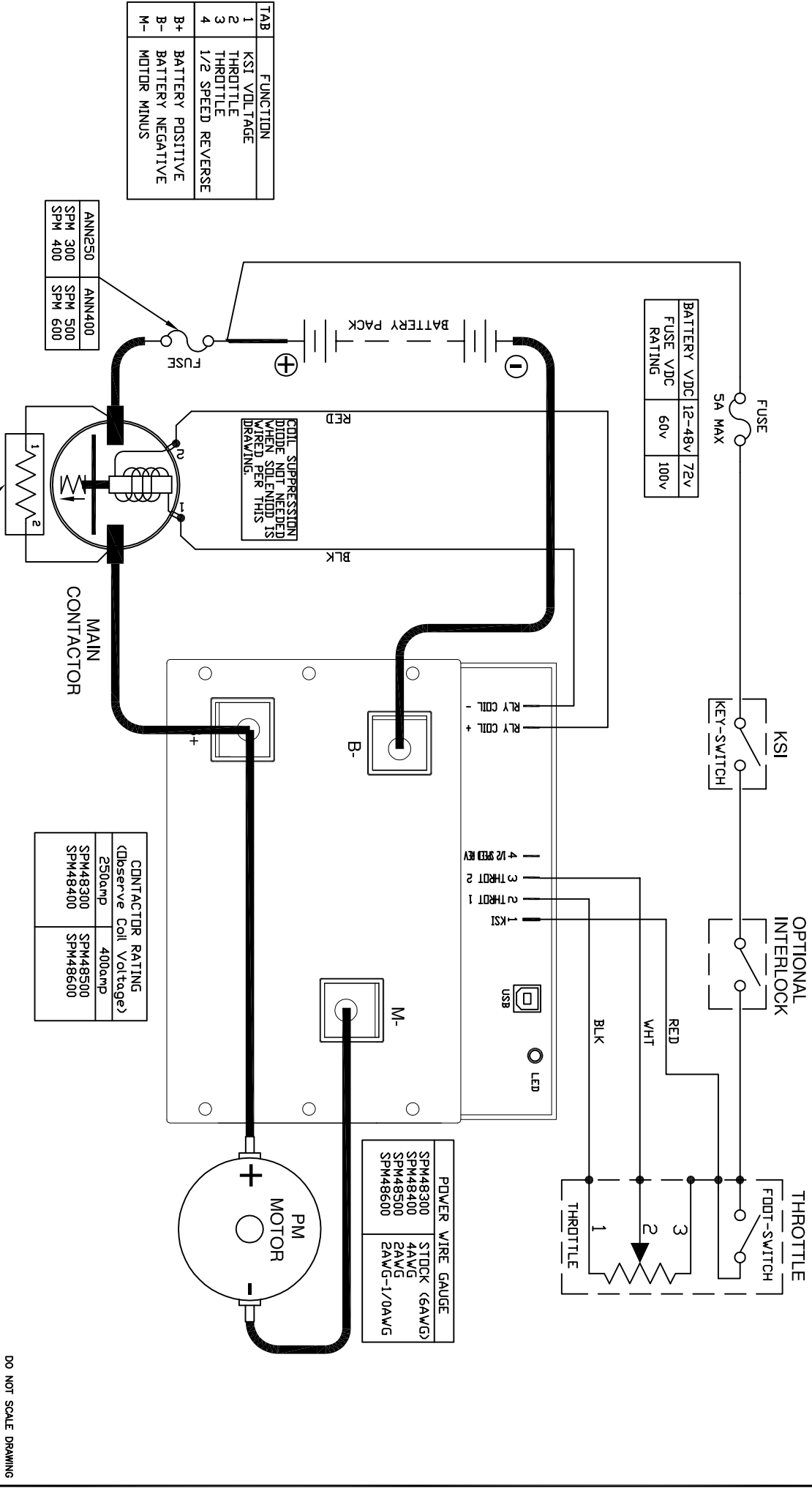


SPM to PERMANENT MAGNET MOTOR NO REVERSE

PART NO. A



- NOTES:**
- * FUSES REQUIRED FOR ALL INSTALLATIONS
 - * DIODE REQUIRED ACROSS COILS / RELAYS
 - * PRE-CHARGE RESISTOR REQUIRED
 - * ASSUMES FOOTSWITCH IS OPEN WHEN THROTTLE DPF
 - > ALLTRAX RESERVES THE RIGHT TO CHANGE DOCUMENTATION
 - > WITHOUT NOTICE AND WARRANTY AS TO THE ACCURACY, SUFFICIENCY, OR SUITABILITY OF ANY TECHNICAL OR OTHER INFORMATION PROVIDED
 - > SEE OPERATORS MANUAL FOR MORE INFORMATION

PRE-CHARGE RESISTOR

250_ohm	10W (24-36V)
470_ohm	10W (48V)
1000_ohm	10W (72V)

REVISIONS

REV.	ECO.	DATE	APVD

DWG SCALE: 1:1

DRAWN/RICHARD CSUK 11/15/10

ENGIN/DAMIEN CROCKETT 11/15/10

PROPRIETARY
THIS TECHNICAL DATA IS PROPRIETARY AND TO ALLTRAX, INC. IT IS NOT TO BE REPRODUCED, COPIED, OR DISCLOSED IN WHOLE OR IN PART WITHOUT THE WRITTEN PERMISSION OF ALLTRAX, INC.

1111 Cheney Creek Rd.
Grants Pass, OR 97527
PHONE:(541) 476-3565

ALLTRAX

TITLE
SPM- PERMANENT MAGNET W/O REVERSE
Wiring Diagram

SIZE DOCUMENT NO.
A S DOC110-006

REV. A

FILE:30010-006-A-UM-SPM-REV-WAVER-00-0000S-REC-00 SHEET 1 OF 1